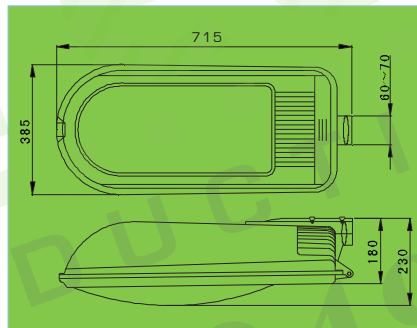




HIGH EFFICIENCY ROAD LIGHTING FIXTURE
GL-ZD03A



Fixture sizes (Unit: mm)



Specifications

Model	Lamp	Power (W)	Voltage (V)	Power factor (COS φ)	Environ Temp (°C)	CCT (K)	Replace HPS lamp
GL-ZD03A-W80	GL-JY80J850W/Z	80	120-277	≥ 0.96	-20~+40 C	5000K	150W
GL-ZD03A-W100	GL-JY100J850W/Z	100	120-277	≥ 0.96	-20~+40 C	5000K	150W
GL-ZD03A-W120	GL-JY120J850W/Z	120	120-277	≥ 0.96	-20~+40 C	5000K	250W
GL-ZD03A-W150	GL-JY150J850W/Z	150	120-277	≥ 0.96	-20~+40 C	5000K	250W

Note: The products with CCT 2700~6500K and another input voltage are available. Products for operating at special surrounding temperature (-40C ~0C or -40~+40C) are available upon request.

Features

- 1.Housing: High pressure die casting aluminum cover, light and firm structure, corrosion proof. Static spray surface treatment technology, good performance of high temperature and weather resistant.
- 2.Reflector: High pure anodized aluminum reflector to achieve high light reflectivity
- 3.Lens: High intension tempered glass lens (Flat glass), good impact resistance
- 4.Ballast: Aluminum profile electronic ballast
- 5.New Heat-resistant silicon rubber seal ring to ensure high level IP rating
- 6.Light source: Can match with GL-JY80~150J rectangle lamp series lamp with its excellent Color Rendering Index and light efficiency, long life span, no flicker and energy saving, wide range of color temperature and soft light, stable light output
- 7.IP Class: IP65
- 8.Installation height:8~12meters
- 9.Application: City highway, factory highway, uptown, public entrances, off-street areas, etc

Distribution curve flux

