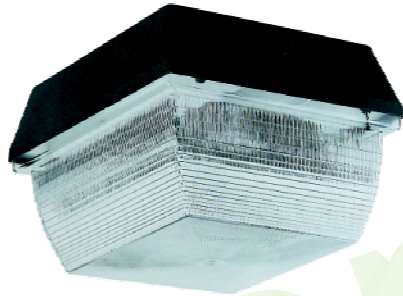
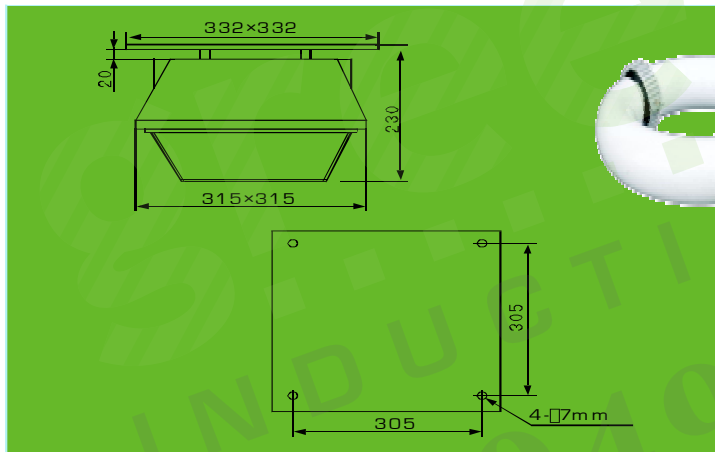


## GL-MX02



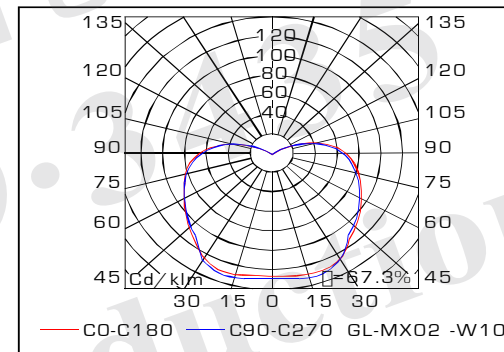
Fixture sizes (Unit: mm)



### Features

- 1.Housing: Imported cold-rolled steel plate, static spraying surface
- 2.Reflector: Mirror surface aluminum reflector provides optimum light distribution.
- 3.Cover: High intensity, high temperature and UV resistant PC cover
- 4.Can match with GL-JY40~100H round type induction lamp with its excellent Color Rendering Index and light efficiency, long life span, no flicker and energy saving, wide range of color temperature and soft light, stable light output.
- 5.IP Class: IP53
- 6.Application: indoor garage, gas station, warehouse, factory, corridor, etc

### Distribution curve flux



### Specifications

Model	Lamp	Wattage	Voltage	Power factor (COS φ)	Environ Temp ( ° )	CCT (K)	Replace MH lamp
GL-MX 02-W40	GL-JY40H850W41	40	120-277	≥ 0.96	-20~+40 °C	5000K	70W
GL-MX 02-W60	GL-JY60H850W41	60	120-277	≥ 0.96	-20~+40 °C	5000K	100W
GL-MX 02-W80	GL-JY80H850W/Z	80	120-277	≥ 0.96	-20~+40 °C	5000K	150W
GL-MX 02-W100	GL-JY100H850W/Z	100	120-277	≥ 0.96	-20~+40 °C	5000K	150W

GreenLight Induction

Questions and Comments:

Support@greenlightinduction.com

Office: 949-429-3435

Note: The products with CCT 2700K~6500K and another in put voltage are available.