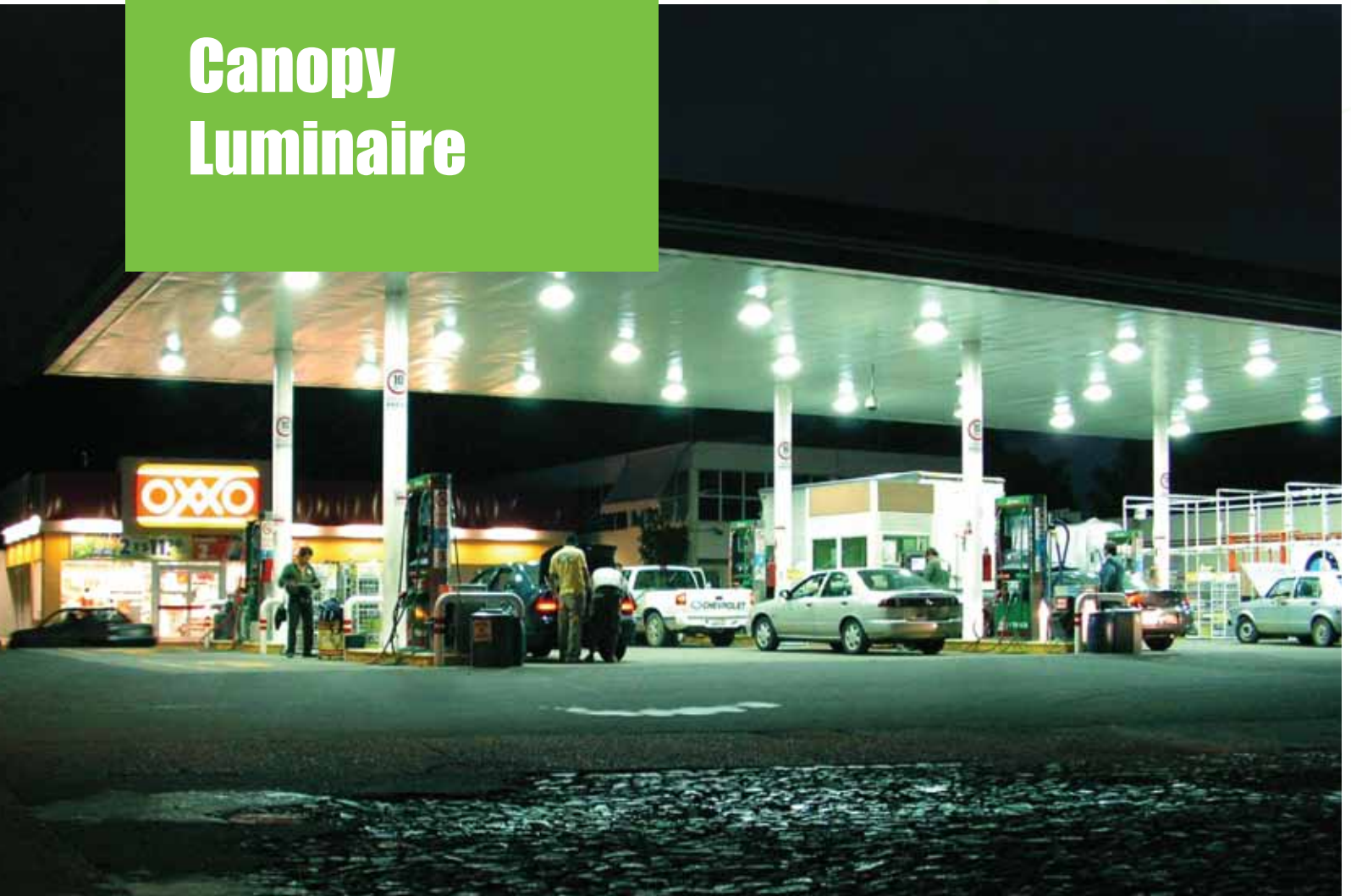


Originating from Science  
Lighting Up the World

# Canopy Luminaire



**35W-200W**  
JGL-GCF Series  
JGL-GSCF Series

## Canopy Luminaire



GCF01a

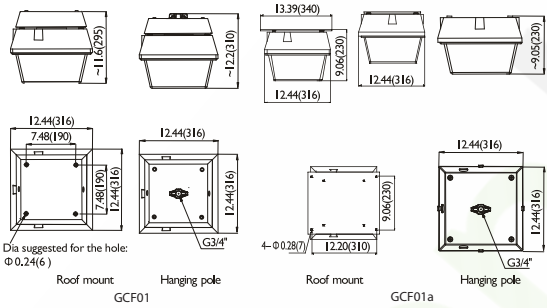


GCF01



### JGL-GCF01/GCF01a Series

Unit: inches(mm)



Note: The recommended position and diameter of mounting holes are shown above.

#### Features

- Die cast aluminum housing with powder coated finish for corrosion resistance.
- UV resistant polycarbonate(PC) lens.
- For ceiling or pipe mounting.

#### Lamp and Ballast

- JGL's 85W ball type or 40W~100W round tubular induction lamp features high lumen efficacy, long lifetime, good color rendering, stable output, etc.
- JGL's electronic ballast features high power factor (>0.95), flickering free operation with low ballast loss and constant output, etc.

#### Applications

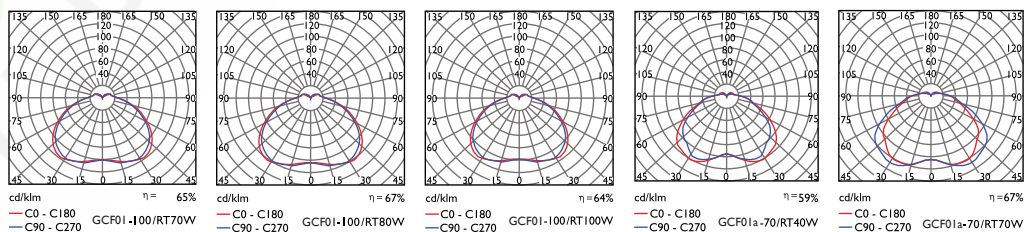
- Parking lot, gas station, warehouse.

#### Fixture Specifications:

Fixture Model No.	Lamp (W)	Voltage (V)	Color Temperature (K)	Ambient Temperature (°C)	Installation	IP class	Package size L×W×H (mm)	Net weight (Kg)	UL CUL
GCF01-40S-JGL	RT40W	120~277	5000	-20~+40	Roof mount/Hanging pole	IP43	350×350×375	5.0	✓
GCF01-85S-JGL	VL85W	120~277	5000	-20~+40	Roof mount/Hanging pole	IP43	350×350×375	5.0	✓
GCF01-70S-JGL	RT70W	120~277	5000	-20~+40	Roof mount/Hanging pole	IP43	350×350×375	5.6	✓
GCF01-80S-JGL	RT80W	120~277	5000	-20~+40	Roof mount/Hanging pole	IP43	350×350×375	5.6	✓
GCF01-100S-JGL	RT100W	120~277	5000	-20~+40	Roof mount/Hanging pole	IP43	350×350×375	5.6	✓
GCF01a-40S-JGL	RT40W	120~277	5000	-20~+40	Roof mount/Hanging pole	IP43	360×350×295	5.0	✓
GCF01a-70S-JGL	RT70W	120~277	5000	-20~+40	Roof mount/Hanging pole	IP43	360×350×295	5.0	✓

Note: Color temperature 2720-6500K available upon request.

Source of products listed in the table part (bulb) individually packaged



The above data is subject to change without notice.